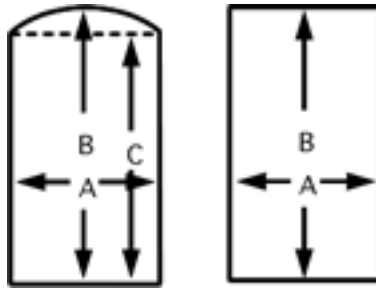


Measure for a Niche

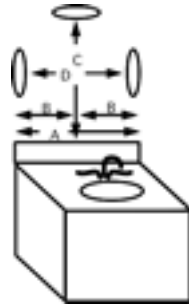


A. Measure side to side.

B. Measure top to bottom.

C. For a rounded niche, also measure from the bottom to the bottom of the curve.

Measure for a Single Sink



A. Measure the total distance of the vanity.

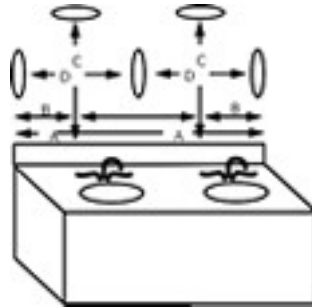
B. Measure from the left to the center of the fixture and from the right to the center of the fixture. If these are equal the sink is centered.

C. Measure from the lowest point of the light fixture to the top of the splash. Note what kind of fixture you have. (Bar light, over hang sconces, etc.) Repeat step B to check how centered the light is relation to the sink. In general, a mirror should be 2" from the splash and 2-4" from the lights.

D. If your lights are mounted on the side measure the distance between them.

E. Length of light fixture if needed.

Measure for a Double Sink



A. Measure the total distance of the vanity.

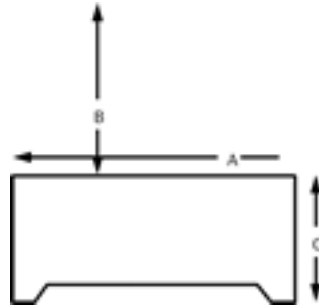
B. Measure from the left of the vanity to the center of the left sink. Repeat with the right side. Measure from center to center between the sinks. All of these measurements should equal A.

C. Measure from the lowest point of the light fixture to the top of the splash. Note what kind of fixture you have. (Bar light, over hang sconces, etc.) Repeat step B to check how centered the light is relation to the sink. In general, a mirror should be 2" from the splash and 2-4" from the lights.

D. If your sconces are mounted on be on the sides of the mirror measure each space individually. (From wall to light on both sides and distance between each light as well.)

E. Length of light fixture if needed.

Measure for Furniture



A. Measure the total length of the furniture.

B. Measure from the top of the furniture to the ceiling, if applicable.

C. Measure the height of the furniture.

- a. Keep in mind other items that may be place on a table such as lamps. Note their height / width.
- b. With a couch consider the height of your head as you lean back
- c. Think about what is being reflected and orientation of horizontal verses vertical.
- d. Avoid a visually square mirror, for example 30 x 34
